

# THE VERSATILITY OF 5MM WITH THE SECURITY OF 10MM



## LIGAMAX™ 5: SECURITY OF MEDIUM/ LARGE CLIPS IN A SMALL CLIP APPLIER

5mm



LIGAMAX™ 5

- 8.8mm closed clip length provides occlusion of a range of structures
- Secure clip retention
- Confident occlusion

Formed Clip  
10mm



LIGACLIP® ER320

8.8mm



ENDO CLIP™ II

9.0mm



CLOSED CLIP LENGTH

## ENGINEERED FOR VERSATILE PERFORMANCE

- Long, thin, angled jaws provide excellent access and visibility beyond structures
- Fits through both 5mm and 10mm trocars, giving you the flexibility to approach structures via multiple ports
- 33cm shaft increases reach

## IMPROVED COSMESIS FOR PATIENTS

- Small incision with LIGAMAX™ 5 improves cosmesis,\* while delivering the security of a medium/large clip
- Less invasive procedure compared with a 10mm incision



Ethicon  
Endo-Surgery

PART OF THE Johnson & Johnson FAMILY OF COMPANIES

The Superior Clip...  
Superior Clip Security\*

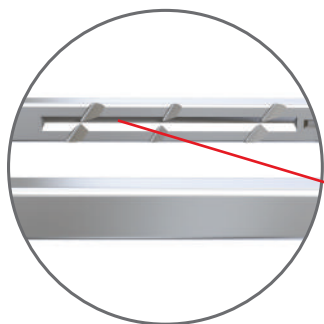
**LIGAMAX™ 5**

# CONFIDENT LIGATION WITH PROPRIETARY CLIP DESIGN

LIGAMAX™ 5 delivers highly engineered clips with unique features designed to provide secure occlusion for your patients.

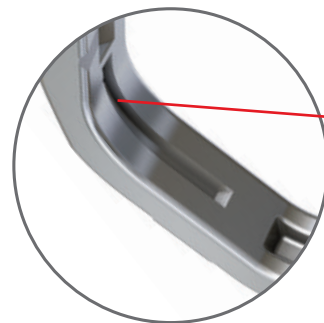
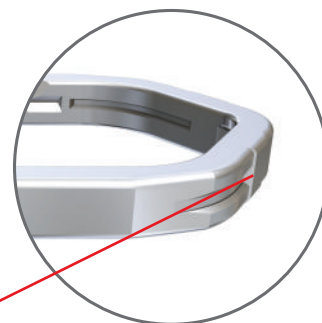
## CLIP RETENTION

Proprietary lateral and transverse grooves allow secure fixation on the structure and increased resistance to dislodgement of a formed clip.



## CLIP FORMATION

Crimp pads (raised projections on the outside surface of the clip) aid clip formation, resulting in a minimal clip gap.

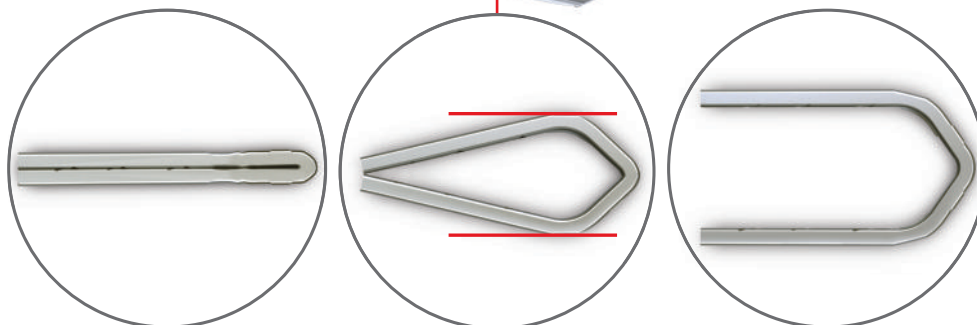


## CLIP SECURITY

Tongue and groove, located at the lateral corners of the unformed clip, are designed to assist in leg alignment and minimize clip gap at the apex. This results in greater clip security, especially on smaller structures.

## FORCE TO FIRE

Apex notch reduces force required to form the clip. This assures minimal clip gap at the apex and even contact along the clip length.



## CLIP ORIENTATION

Knee pads maintain the clip firmly in the jaws of the device during surgical maneuvering, helping to prevent clip dislodgement.



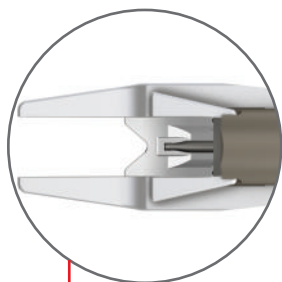
**Ethicon  
Endo-Surgery**

PART OF THE Johnson & Johnson FAMILY OF COMPANIES

# SECURITY YOU CAN RELY ON

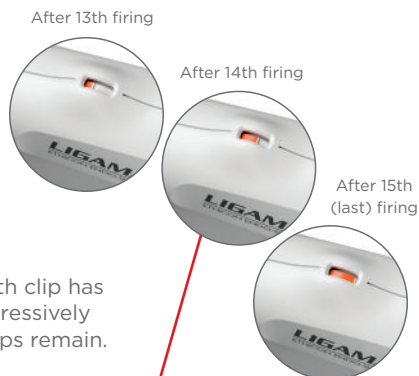
## JAW SECURITY

- **Collapsible jaws** enable smooth 5mm trocar insertions and the delivery of medium/large clips. Jaws collapse passively during insertion, but reopen after clearing the distal tip of the trocar cannula
- **Anti-backup** provides controlled jaw closure and clip formation, minimizing dropped or malformed clips if the firing cycle is paused



## CLIP INDICATOR

Orange bar appears after the 13th clip has been fired and the window progressively fills to indicate that 2, 1, or no clips remain.



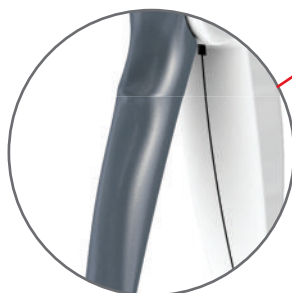
## EASY ORIENTATION

Ergonomic design of the 360° rotation knob enables easy rotation and one-handed jaw orientation.

## SMOOTH, CONTROLLED FIRING

Ergonomic trigger helps ensure precise positioning of the clip. Audible and tactile ratchet clicks provide control and feedback.

- **Cholangio-click** signals that a clip has been partially formed to secure a cholangiogram catheter



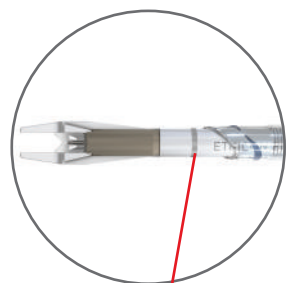
## OVERLOAD MECHANISM

Gives added protection from jaw damage if closed on a rigid object such as an adjacent clip or cholangiogram catheter.



**LIGAMAX<sup>5</sup>**<sup>TM</sup>

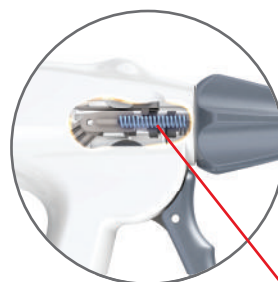
# IMPROVED FEATURES ENHANCE FUNCTIONALITY



## ENSURING PROPER INSERTION

### Trocar insertion line

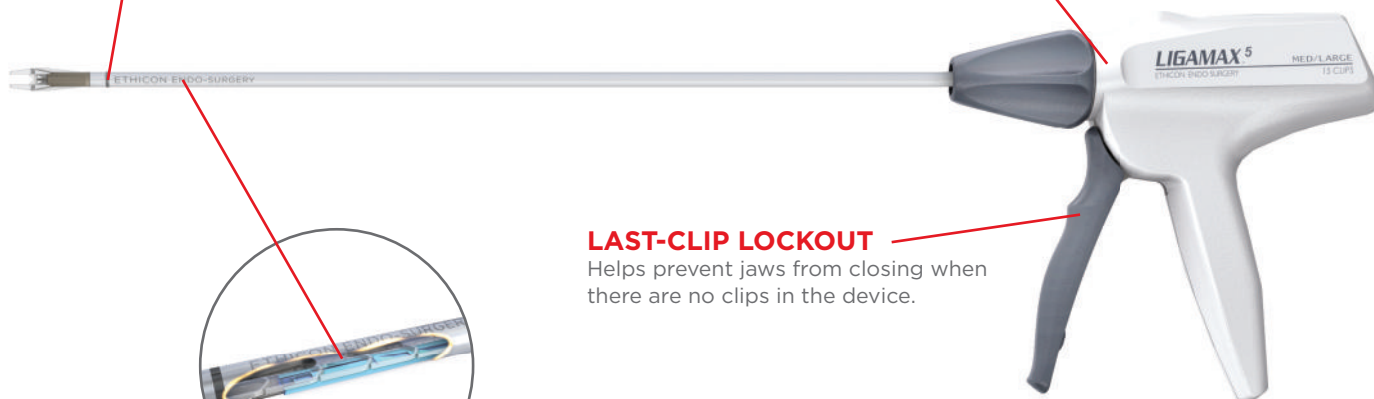
Helps ensure that the jaws are inserted completely through the trocar.



## EASY TRIGGER RELEASE

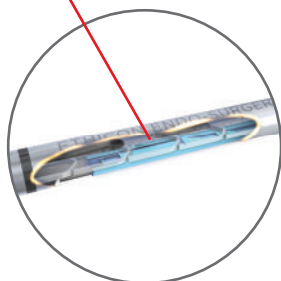
### Handle assist

Incorporates a spring to facilitate trigger release.



## LAST-CLIP LOCKOUT

Helps prevent jaws from closing when there are no clips in the device.



## CONSISTENT CLIP DELIVERY

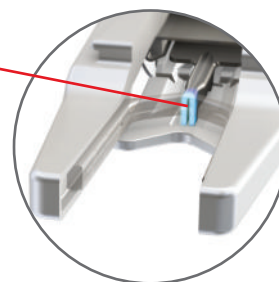
### Direct-drive feeding mechanism

Allows for smooth, controlled clip advancement during feeding and minimal tip movement during clip placement.

## IMPROVED FEEDING

### Clip advancer tab

Helps ensure reliable clip engagement.



\*Data on file. Benchtop testing using elastomeric tubing comparing LIGAMAX™ 5 and Endo Clip™ III clips.

Endo Clip™ II and Endo Clip™ III are trademarks of Covidien AG.

better **ligation** together



**Ethicon  
Endo-Surgery**

PART OF THE **JOHNSON & JOHNSON** FAMILY OF COMPANIES

The Superior Clip...  
Superior Clip Security\*

**LIGAMAX™ 5**

© Ethicon Endo-Surgery, Inc. 2010 DSL# 10-0792 ENDO1130-T3

D